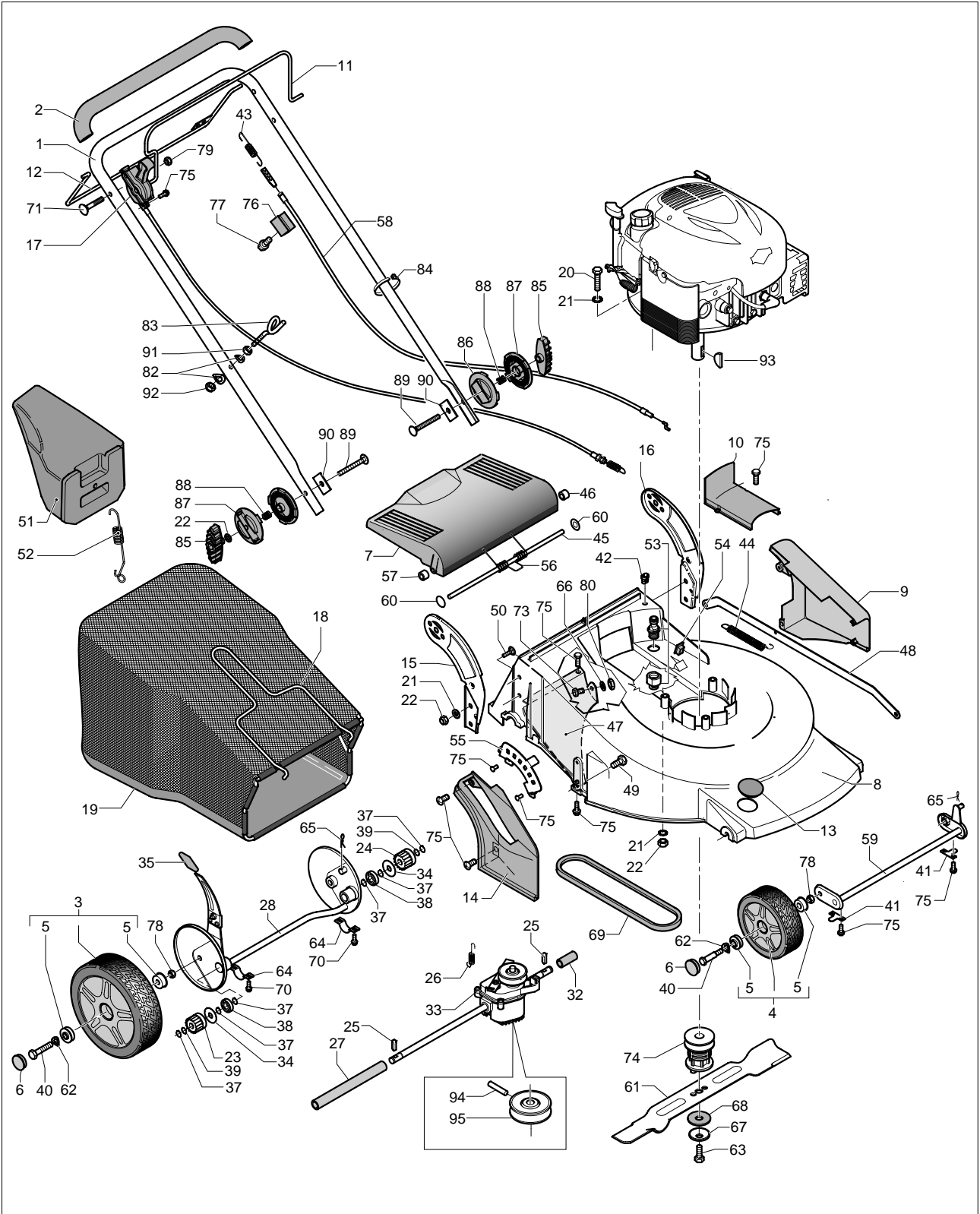


brand	PARTNER
-------	----------------

date	FEB/03	SHEET 1/3
------	--------	-----------

Model	P 6053 CDTX

Product number	953878128



brand	PARTNER
-------	----------------

date	FEB/03	SHEET 2/3
------	--------	-----------

Model

P 6053 CDTX

Product number

953878128

Pos.	PN ELX	PN MEP	DESCRIPTION	Q.ty	NOTE
1	531211478	10141713	handle	1	
2	531210725	10172713	sheating	1	
3	531210726	9175101	wheel	2	D.210/26
4	531210703	9175111	wheel	2	D.170/26
5	531205214	10121900	ball-bearing	4	
6	531210538	10114801	plug	4	
7	531205485	10135071	deflector	1	
8	531205698	10140011	deck	1	
9	531205747	10140333	housing	1	SX
10	531205751	10140343	belt housing	1	
11	531211483	10140751	brake handle	1	
12	531205789	10140763	clutch handle	1	
13	531210797	10141463	plug	1	
14	531210798	10141473	housing	1	DX
15	531211450	10141691	support	1	
16	531211451	10141701	support	1	
17	531211479	10141723	cable	1	
18	531211448	10141673	bag frame	1	
19	531211519	10141733	scarifier	1	
20	531205768	10140420	screw	1	TE M8x90 UNI 5737 1/2F ZB
20	531206681	10291000	screw	2	TE M8x60 UNI 5737-8,8-ZB
21	531207981	20106200	washer	8	D.8E DIN 6798
22	531207982	20106300	nut	7	M8 H8 UNI 5587-6S ZB
23	531205045	10120160	pinion	1	DX
24	531205046	10120170	pinion	1	SX
25	531205108	10121160	key	2	"S" 5x5(-0,05)x19,2 DIAG
26	531205754	10140350	spring	1	
27	531205771	10140453	spacer tube	1	13 X98X0,75SP
28	531211252	10141580	axle	1	
29	531211233	20120270	bush	1	
30	531206346	10162910	screw	1	TE M5x40 UNI 5739-45-Z.
31	531207374	10601300	support	1	
32	531207697	10766503	spacer tube	1	13 X272X0,75SP
33	531207699	10767700	gear-box	1	HA/25 550 - 025 .MZ6
34	531207847	10831200	washer	2	D.12/34/0,7 ZB
35	531207986	20107203	sheating	1	
37	531208772	20655800	seeger	6	D.12E DIN 471
38	531208778	20657600	ball-bearing	2	D.12/28/8 6001/2RS
39	531208859	20761300	washer	2	D.12,4x17x0,3
40	531205042	10120090	screw	4	
41	531205536	10135270	support	2	
42	531205557	10135413	cable lock	1	
43	531205596	10135710	spring	1	
44	531205715	10140090	spring	1	
45	531205731	10140190	tie rod	1	
46	531205733	10140223	spacer	1	H.15
47	531205734	10140250	deflector	1	

brand	PARTNER
-------	----------------

Model

P 6053 CDTX

date	FEB/03	SHEET 3/3
------	--------	-----------

Product number

953878128

Pos.	PN ELX	PN MEP	DESCRIPTION	Q.ty	NOTE
48	531205736	10140263	rod	1	
49	531205740	10140290	screw	4	TTTCFR D.4x12 2F
50	531205741	10140310	screw	4	TTSQ M8x16TF QUAD.H2,5 ZB
51	531205829	10141130	plug	1	
52	531205831	10141150	spring	1	
53	531205848	10141313	complete connection	1	D.1/2"
54	531205850	10141333	plug	1	
55	531211626	10141480	support	1	
56	531206180	10155190	spring	1	
57	531211966	10155560	spacer	1	H10
58	531206298	10160170	cable	1	
59	531206522	10175060	axle	1	
60	531210824	10175400	washer	2	8E STARBLOC CAPTED
61	531211028	10175480	blade	1	53 CM
62	531206644	10275100	washer	4	UNI 8840-B12(13/24/0,8
63	531206649	10280901	screw	1	TE D.3/8"UNFX65(8.8)
64	531206652	10281200	support	2	
65	531206653	10281400	cotter pin	2	1,8 x 33
66	531206666	10284700	washer	1	5/15/1,5 ZB
67	531207237	10530900	washer	1	11x50x2,5
68	531207243	10531700	washer	1	17,2x50x1,5+0,1
69	531207375	10601400	belt	1	Z 30-3/4 (10x785)3L320
70	531207385	10602800	screw	4	TEFR 5x12 Z.B. Pa
71	531207776	10803700	screw	1	6Mx50 TB TF
73	531207838	10830300	screw	2	TE M5x16 UNI 5739-8,8-ZB
74	531207848	10831300	support	1	
75	531207856	10831800	screw	14	TEFR 5x10 ZB
76	531207923	10876103	support	1	
77	531207937	10878000	screw	1	TCTC 3,9x16
78	531207978	20101700	nut	4	M10 H8 UNI 5588-6S ZB
79	531208063	20122790	nut	1	M6 FLANGIATO
80	531208492	20282100	nut	2	M5 H7 UNI7473-ZB
82	531204961	10115900	washer	4	6,5E
83	531205169	10121470	cable hook	2	
84	531205581	10135600	clamp	2	160X4,5
85	531205840	10141253	knop	2	8M
86	531211473	10173003	disk	2	
87	531211474	10173013	disk	2	
88	531211476	10173033	spring	2	
89	531211480	10173060	screw	2	TTSQ M8x55 TF ZB
90	531211581	10173103	plate	2	
91	531207165	10501200	nut	2	M6 H6 UNI 5587-6S-ZB
92	531208491	20281800	nut	2	M6 H8 UNI7473-ZB
93	531204907	10100900	key	1	DIN 6888 4x6,5
94	531207703	10768400	resilient pin	1	Ø 5x30
95	531208899	20768203	pulley	1	